



ADS Dental System

**AJ15**



# AJ15 Chair

**Part number: A091502**

Hydraulic chair with 3 programmable positions.

Reliable hydraulic system makes powerful and stable movement.

5 year warranty.



# AJ15 Chair

- AJ15 hydraulic chair with 3 programmable positions,Articulating headrest,
- Swing up/down aluminium armrest,Narrow backrest, upgraded fiber leather,
- Cast iron chair frame,Steel backrest stand,Steel base plate,
- 60 degrees seat rotation, chair safety switch,One touchpad attached on armrest, Foot control

- **Swing up/down aluminum armrest** firmly holds the patient and facilitates the patient to enter and exit.



- **Articulating headrest** offers perfect support for the patient. Adjust the angle and get the best view of the oral cavity.



- **60 degree seat rotations** satisfy all kinds of needs.



- **Narrow backrest, steel backrest stand** fully support the patient's back with ergonomic design. Butterfly shaped back offers wide space for doctors and enables you get as close to the patient as possible.



- **Japanese hydraulic pump** provides sufficient power to support the chair's movement.



- **Foot control** makes operation more convenient for doctors.



## Specifications:

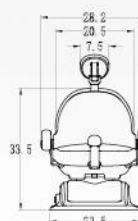
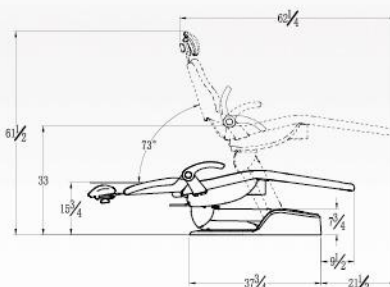
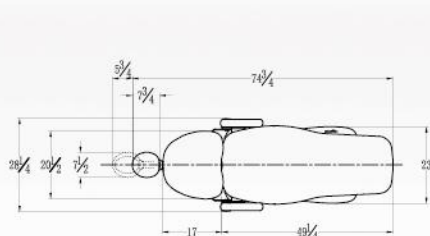
Environmental requirements — Ambient temperature 5 °C~40 °C;  
Humidity ≤80%;  
Atmospherical pressure 8.7 psi~ 15.4psi;

Electrical requirements — AC110V ± 22V;  
50HZ, 60HZ;

Hydraulic pump run time — Intermittent operation 2min On / 18min Off;

Weight — 364lbs;

Max patient load — 550lbs;



# AJ15 Classic 100

Part number: A9151002



## Standard Features:

AJ15 hydraulic chair with 3 programmable positions,  
Articulating headrest, Swing up/down aluminium armrest,  
Narrow backrest, upgraded fiber leather, Cast iron chair frame,  
Steel backrest stand, Steel base plate,  
60 degrees seat rotation, chair safety switch,  
One touchpad, Foot control  
Classic dentist's control head with 3 auto H.P. control,  
Individual water coolant controls,  
Master handpiece air coolant adjustment,  
Asepsis handpiece tubing, Handpiece flush system,  
Master on/off switch, 1 doctor syringe, Wet/Dry foot control,  
Stainless steel tray with non-slip pad, Flex arm air brake switch

Classic 100 Post mounted utility (PMU) with steel side box,  
City water/bottled system, Water outlet and air QD,  
Solids collector,  
2 HVE, 1SE, 1 syringe on telescoping assistant's control,  
Junction box with air/water filters, regulators, master shut- off valves,  
5 ft. umbilical  
Post mount LED light with sensor control, 3 level intensity adjustment



# AJ15 Classic 101

Part number: A9151012



## Standard Features:

AJ15 hydraulic chair with 3 programmable positions,  
Articulating headrest, Swing up/down aluminium armrest,  
Narrow backrest, upgraded fiber leather, Cast iron chair frame,  
Steel backrest stand, Steel base plate,  
60 degrees seat rotation, chair safety switch,  
One touchpad, Foot control  
Classic dentist's control head with 3 auto H.P. control,  
Individual water coolant controls,  
Master handpiece air coolant adjustment,  
Asepsis handpiece tubing,  
Master on/off switch, 1 doctor syringe,  
Remote toggles for cup fill and bowl rinse, Wet/Dry foot control,  
Stainless steel tray with non-slip pad, Flex arm air brake switch,  
Porcelain cuspidor bowl with strainer, Cup fill & Bowl rinse toggles.

Classic 101 Post mounted utility (PMU) with steel side box,  
City water/ bottled system, Water outlet and air QD,  
Solids collector,  
2 HVE, 1SE, 1 syringe on telescoping assistant's control,  
Junction box with air/water filters, regulators, master shut- off valves,  
5 ft. umbilical  
Post mount LED light with sensor control, 3 level intensity adjustment

# AJ15 Classic 200

Part number: A9152002



## Standard Features:

AJ15 hydraulic chair with 3 programmable positions,  
Articulating headrest, Swing up/down aluminium armrest,  
Narrow backrest, upgraded fiber leather, Cast iron chair frame,  
Steel backrest stand, Steel base plate,  
60 degrees seat rotation, chair safety switch,  
One touchpad, Foot control  
Swing Classic dentist's control head with 3 auto H.P. control,  
Individual water coolant controls,  
Master handpiece air coolant adjustment,  
Asepsis handpiece tubing,  
Master on/off switch, 1 doctor syringe,  
Wet/Dry foot control, Stainless steel tray with non-slip pad,  
City/bottled water system, 5 ft umbilical,  
Junction box with air/water filters, regulators, master shut-off valves,

Chair mounted swing rear assistant vacuum package,  
Water outlet and air QD on assistant tray,  
Solids collector,  
2 HVE, 1SE, 1 syringe  
Post mount LED light with sensor control, 3 level intensity  
adjustment

# AJ15 Classic 201

Part number: A9152012



## Standard Features:

AJ15 hydraulic chair with 3 programmable positions,  
Articulating headrest, Swing up/down aluminium armrest,  
Narrow backrest, upgraded fiber leather, Cast iron chair frame,  
Steel backrest stand, Steel base plate,  
60 degrees seat rotation, chair safety switch,  
One touchpad attached on armrest, Foot control  
Swing Classic dentist's control head with 3 auto H.P. control,  
Individual water coolant controls,  
Master handpiece air coolant adjustment,  
Asepsis handpiece tubing,  
Master on/off switch, 1 doctor syringe, Wet/Dry foot control,  
Stainless steel tray with non-slip pad, City/bottled water system,  
5 ft umbilical, Junction box with air/water filters, regulators,  
master shut-off valves,

Swing mount Cupspidor and assistant vacuum package  
Cuspidor and assistant vacuum package,  
Water outlet and air QD on assistant tray,  
Solids collector, 2 HVE, 1SE, 1 syringe  
Post mount LED light with sensor control, 3 level intensity  
adjustment

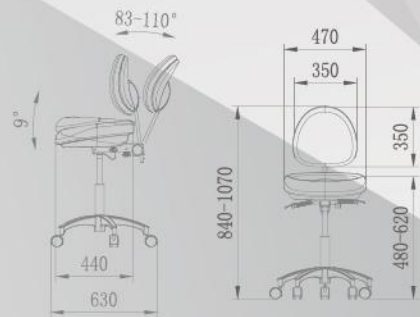
# Dental Stools



## D3 Doctor stool

Part number: A080103

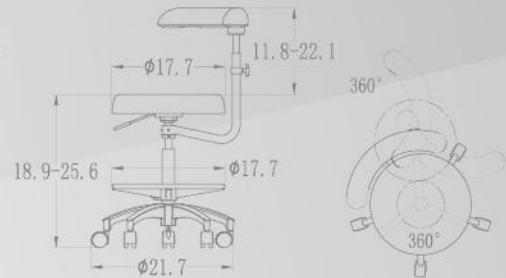
Chrome plated pneumatic cylinder  
 Height adjustment,  
 Backrest forward backward adjustment,  
 Seat surface adjustment,  
 Contoured seat & back,  
 Fiber leather upholstery  
 Cast aluminum star,  
 Quiet twin wheel casters,  
 1 year warranty



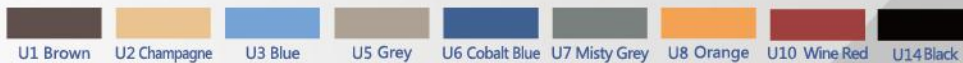
## N4 Assistant stool

Part number: A080224

Round seat,  
 Fiber leather upholstery,  
 Chrome plated pneumatic cylinder  
 Adjustable chrome foot ring  
 Cast aluminum star  
 Ratcheting body support,  
 1 year warranty



Color sample  
 (Fiber leather)



Technical support: 800 488 9708

Add: 1590 S Milliken Ave., unit A, Ontario, CA 91761

Tel: (626) 620 0456

[www.adsdental.com](http://www.adsdental.com) [www.adsequip.com](http://www.adsequip.com)

[sales@adsequip.com](mailto:sales@adsequip.com)