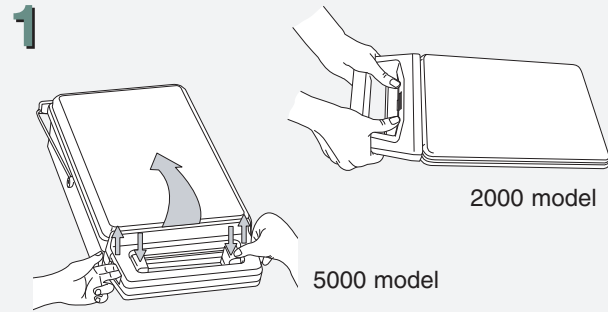




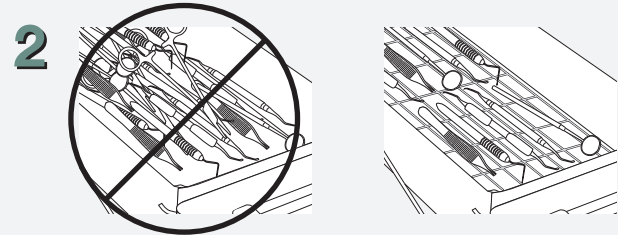
SciCan Inc., 701 Technology Drive, Canonsburg, PA 15317 USA
SciCan Ltd., 1440 Don Mills Road, Toronto, Ontario M3B 3P9 CANADA

GENERAL USAGE



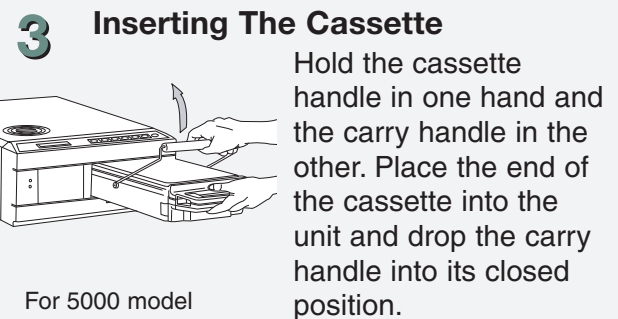
Opening and Closing the Cassette

With thumbs on the thumb pads, push down, pulling up with forefingers until lid opens.



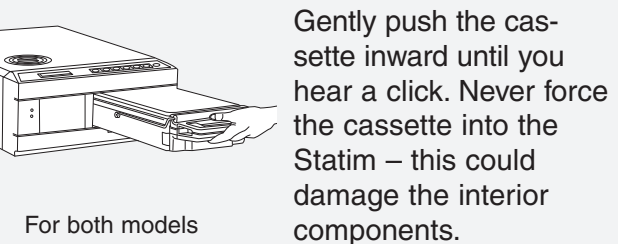
Filling the Cassette

Do not overfill the cassette.



3 Inserting The Cassette

Hold the cassette handle in one hand and the carry handle in the other. Place the end of the cassette into the unit and drop the carry handle into its closed position.



Gently push the cassette inward until you hear a click. Never force the cassette into the Statim – this could damage the interior components.

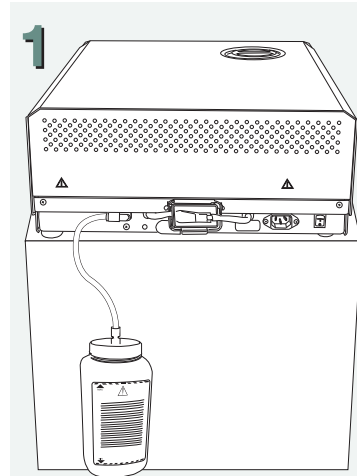


Ophthalmology Guideline

Proper wrapping or pouching of surgical instruments will reduce their exposure to any process residues during the sterilization cycle. Drain the reservoir at the end of each day, leave empty, and refill it with fresh distilled water at the start of the next workday.

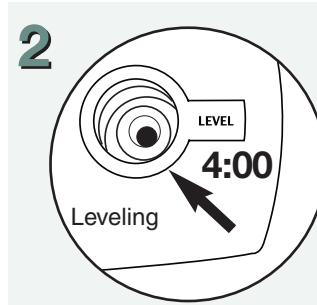
DRYING PERFORMANCE

Four steps to obtaining optimal drying results:



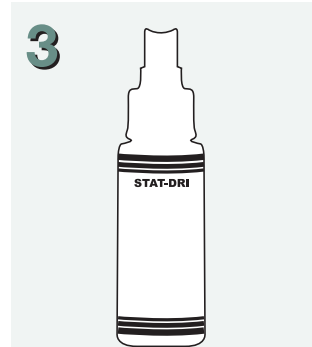
1 Set Up Waste Bottle:

Fill this bottle with water to the minimum level and set it on, or close to, the floor.



2 Level your Statim:

To ensure unit drains properly, adjust leveler feet so that the level indicator bubble is in the front right quadrant (4 o'clock position) of the target.

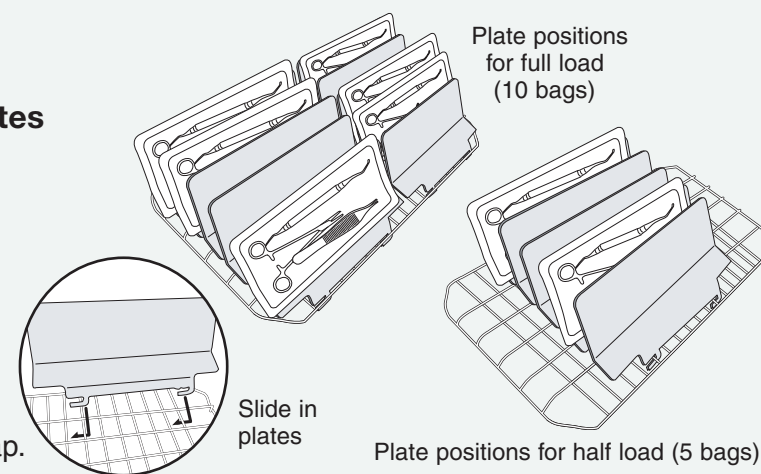


3 Coat Cassette:

After cleaning and drying the cassette, treat the interior surfaces with STAT-DRI[™] Plus.

4 Use STAT-DRI Plates (5000 only)

For optimal drying performance, place the STAT-DRI plates parallel to the length to the cassette. One bag per plate. Window side up. Bag ends may overlap.



1. Unwrapped Cycle

This cycle is used to sterilize light loads of solid metal instruments such as hand instruments, speculums, and forceps. To select the Unwrapped Cycle, press the Unwrapped Cycle button, then press the START button.



2. Wrapped Cycle

This cycle is used to sterilize solid or hollow metal instruments which have been sealed in paper or paper and plastic autoclave bags. To select the Wrapped Cycle, press the Wrapped Cycle button, then press the START button.



3. Rubber and Plastics Cycle

This cycle is used to sterilize solid or hollow unwrapped instruments. To select the Rubber and Plastics Cycle, press the Rubber and Plastics Cycle button, then press the START button.



4. Heavy Duty Unwrapped Cycle* (5000 only)

This cycle is used to sterilize larger loads of unwrapped metal instruments. To select this cycle, press the Heavy Duty Unwrapped Cycle button, then press the START button.



GENERAL MAINTENANCE

To ensure trouble-free performance, operators must follow this preventative maintenance schedule.

Daily	Water Reservoir	<ul style="list-style-type: none"> Replace water as needed. For ophthalmic use, drain at the end of every workday, leave empty, and refill at the start of the next workday.
	Waste Bottle	<ul style="list-style-type: none"> Empty the waste bottle every time you refill the water reservoir. Fill the bottle with water, up to the MIN line marking. You may also add some chlorine-free disinfectant.
Weekly	Cassette	<ul style="list-style-type: none"> Wash the interior of the cassette with dishwashing soap or a mild detergent that does not contain chlorine. Scrub the inside with a cleaning pad designed for use with Teflon[®]-coated surfaces. After removing all traces of the detergent, treat interior surfaces of the cassette with the STAT-DRI[™] Plus drying agent to enhance the drying process. Additional STAT-DRI[™] Plus can be ordered by requesting 2OZPLUS, 8OZPLUST, or 32OZPLUS.
	Water Reservoir Filter	<ul style="list-style-type: none"> Check the water reservoir filter every week and clean if necessary. Replace only if necessary.
Every 6 months	Biological Filter	<ul style="list-style-type: none"> Replace every 500 cycles or six months (whichever is first). Call for service if wet.
	Air Filter	<ul style="list-style-type: none"> Replace every 500 cycles or six months (whichever is first).
	Cassette Seal	<ul style="list-style-type: none"> Replace every 500 cycles or six months (whichever is first), or whenever necessary.