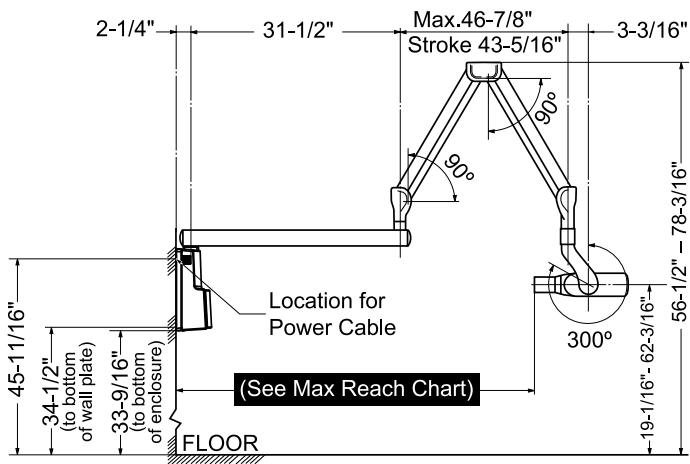
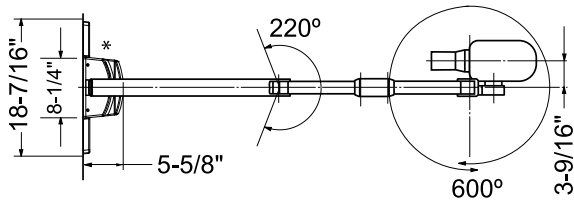


Dimensions:

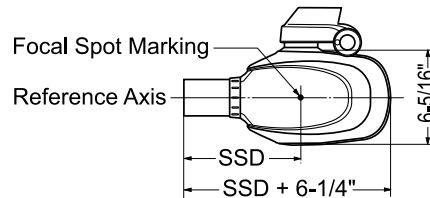
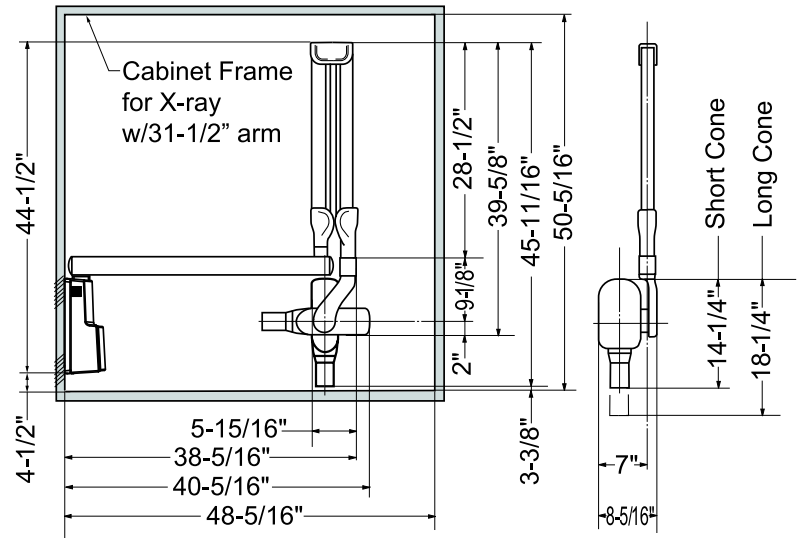
Wall Mount



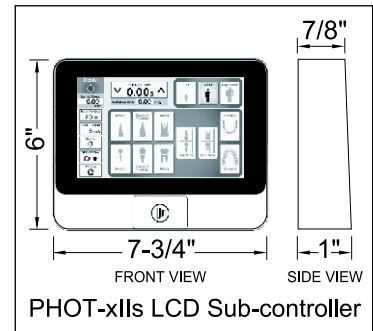
Maximum Reach:	84-1/8" with 40.0" arm	64-1/8" with 20.0" arm
	75-5/8" with 31.5" arm	56-1/8" with 12.0" arm



Pass-thru mount



- SSD (Source to Skin Distance) :**
- a. Regular cone-----8 inches (203 mm)
 - b. Long cone-----12 inches (305mm)



SPECIFICATIONS

Selectable kV:	60-70 kV
Focal Spot:	0.4 mm (IEC60336)
Voltage:	120 VAC
Rated Line Current:	10A at 70kV, 6 mA
Exposure Time:	0.01 - 2.0 Seconds
Minimum Filtration in useful Beam:	2.0 mm Al Equivalent at 70kV
Selectable mA:	3mA / 6mA
Source to Skin Distance (SSD):	Standard Cone: 8" Optional Long Cone: 12"
Additional Options:	Pass-Thru Plate for 4x4 stud mounting Coiled wire remote switch Long 12" Cone Bel-Link Wireless interface for Digital Sensors

Belmont Equipment
101 Belmont Drive
Somerset, NJ 08873
(800) 223-1192
www.belmontequip.com

Takara Company Canada Ltd.
2076 South Sheridan Way
Mississauga, ON
L5J 2M4, Canada
(800) 268-5351
dental.takarabelmont.ca

Belmont
Delivering Value in Quality

@BelmontEquipUS

