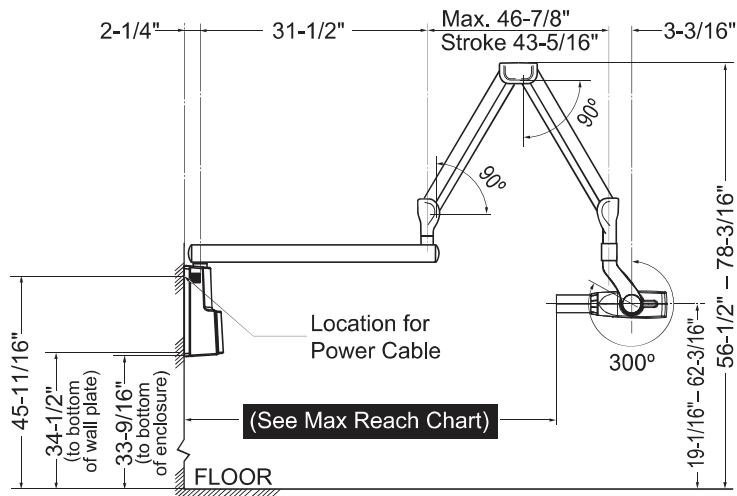
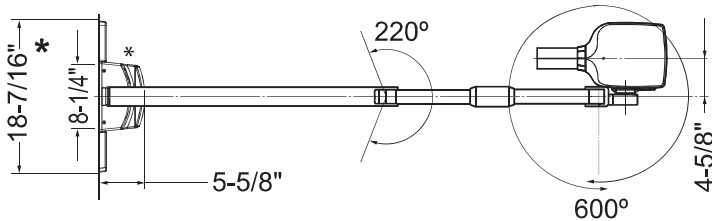


Dimensions:

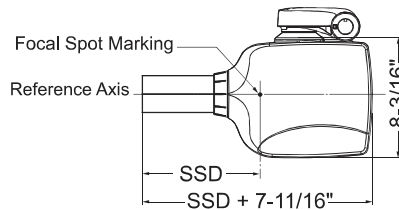
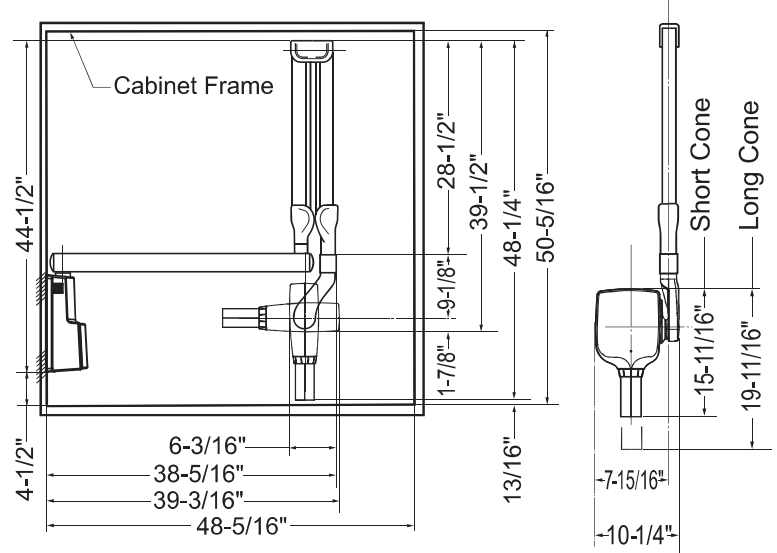
Wall Mount



Maximum Reach: 81-5/8" with 40.0" arm 61-5/8" with 20.0" arm
73-1/8" with 31.5" arm 53-5/8" with 12.0" arm



Pass-thru mount



SSD (Source to Skin Distance) :

- a. Regular cone-----8 inches (203 mm)
- b. Long cone-----12 inches (305mm)

SPECIFICATIONS

| | |
|------------------------------------|---|
| Fixed kV: | 70 kVp |
| Focal Spot: | 0.7 mm (IEC60336) |
| Voltage: | 120 VAC |
| Rated Line Current: | 6.5A at 70kVp, 7mA |
| Exposure Time: | 0.02 - 3.2 Seconds |
| Minimum Filtration in Useful Beam: | 2.2 mm Al Equivalent at 70kVp |
| Selectable mA: | 4mA / 7mA |
| Source to Skin Distance (SSD): | Standard Cone: 8" Optional Long Cone: 12" |
| Additional Options: | Plate for 4x4 stud mounting Coiled wire remote switch Long Cone |

Belmont Equipment
101 Belmont Drive
Somerset, NJ 08873
(800) 223-1192
www.belmontequip.com

Takara Company Canada Ltd.
2076 South Sheridan Way
Mississauga, ON
L5J 2M4, Canada
(800) 268-5351
dental.takarabelmont.ca

Belmont
Delivering Value in Quality

@BelmontEquipUS

