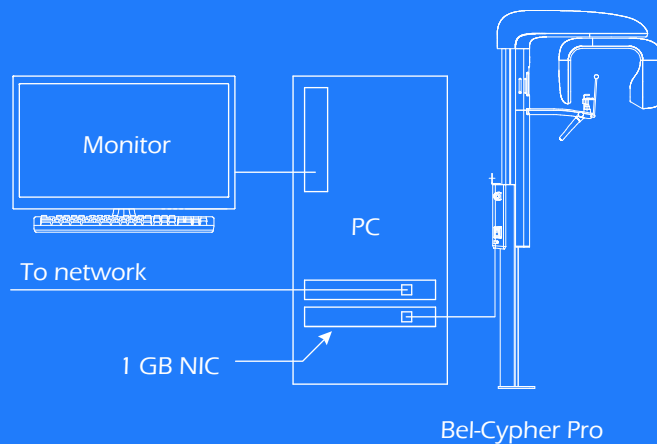


Add 1/2" to height, if you use a flat plate style free standing base. (not shown).

With free standing base.

SPECIFICATIONS

Power Voltage:	120Vac 60Hz
Power Capacity:	9A
High Tension Generator:	High Tension Generator (100kHz)
X-ray Tube Voltage:	60kV to 80 kV (1kV step)
X-ray Tube Current:	2 to 8mA (1mA step and R'10 series)
Exposure Method:	Manual
X-ray Tube:	D-052SB (Toshiba)
X-ray Tube Focal Spot:	0.5 mm
Total Filtration:	2.5 mm Al (minimum)
Radiographic Mode:	Panorama: (Adult, Child), Panoramic Bitewing: (Adult, Child) TMJ:
Exposure Time:	Panorama: 10 sec, Panoramic Bitewing: 4.6 sec. TMJ: 2.5 sec. (x4)
Magnification Ratio:	Panorama: 1.2 to 1.3, Panoramic Bitewing: 1.2 to 1.3 TMJ: 1.2
Image Receiver:	CMOS Digital Sensor
Beam for Patient Positioning:	3 Beams
Dimensions:	Width: 850 mm (33-1/2") Depth: 1,135 mm (44-2/3") Height: 2,275 mm (89-1/2")
Weight:	Approximately 231 lb (105 kg)



TWAIN compatible
Interface: Ethernet 1000 Base-T
Optional free standing base

Computer Requirements

CPU
Intel Xeon E3-1226V3(3.3GHz) or later recommended

Video
Intel HD Graphics 4600 or later recommended

Memory
8GB

Operating System
Windows 7 Professional 64bit
Windows 8 Professional 64bit
Windows 10 Professional 64bit

Belmont Equipment
101 Belmont Drive
Somerset, NJ 08873
(800) 223-1192
www.belmontequip.com

Takara Company Canada Ltd.
2076 South Sheridan Way
Mississauga, ON
L5J 2M4, Canada
(800) 268-5351
dental.takarabelmont.ca

Belmont
Delivering Value in Quality

@BelmontEquipUS

