

# Figures, data and facts at a glance

## PRO▶VECTA® S-Pan

### X-ray HV Generator

Tube Voltage, current 50–99 kV, 4–16 mA

### Tubes

Focal spot size 0.5 mm (IEC60336)  
Total filtration 2.8 mm AL

### Image Detector

Model Csl Sensor  
Pixel size 100 µm  
Active sensor surface 6 x 150.4 mm  
Frame rate 300 fps

### Scan Times

Scan times From 2.5 to 13.5 secs.  
Panorama Panoramic X-rays of adults  
program scan time in quick scan mode: 7 sec.

### Magnification Factor

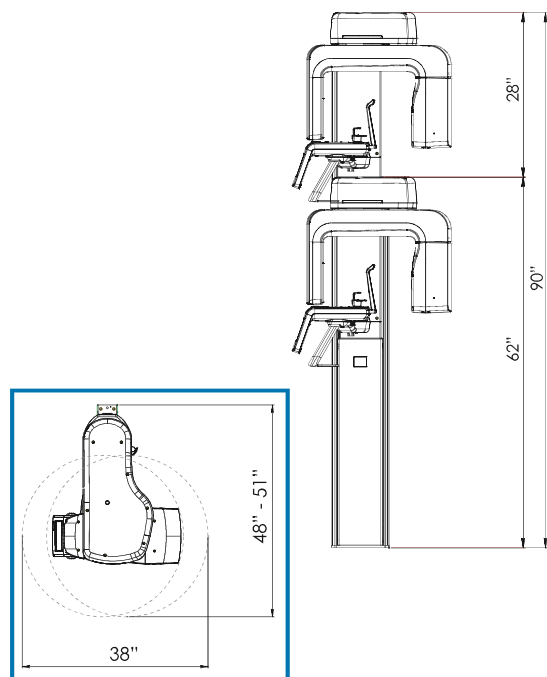
Magnification factor 1.3

### Device Dimensions

Maximum height 90"  
Weight (without/with foot) 231/342 lbs  
Height adjustment range 28"  
Dimensions including rotation  
Width x depth x height 38" x 48" – 51" x 90"  
Installation Wall mount (pedestal optional)

### Electrical Connection

Mains voltage 200–240 V AC  
Frequency 50/60 Hz  
Rated power 2.2 kVA



## PRO▶VECTA® S-Pan Ceph

### X-ray HV Generator

Tube Voltage, current 60–99 kV, 4–16 mA

### Tubes

Focal spot size 0.5 mm (IEC60336)  
Total filtration 2.8 mm AL

### Image Detector

Model Csl Sensor  
Pixel size 100 µm  
Active sensor surface 5.9 x 230.4 mm  
Frame rate 200 fps

### Scan Times

Scan times From 4.1 to 12.9 secs.  
Scanning times Lateral head radiograph  
Ceph program in quick scan mode: 4.1 sec.

### Magnification Factor

Magnification factor 1.14

### Device Dimensions

Maximum height 90"  
Weight (without/with foot) 284/394 lbs  
Height adjustment range 28"  
Dimensions including rotation  
Width x depth x height 77" x 48" – 51" x 90"  
Installation Wall mount (pedestal optional)

### Electrical Connection

Mains voltage 200–240 V AC  
Frequency 50/60 Hz  
Rated power 2.2 kVA

