

Porter **Sentry**Sedate

Portable 4 Cylinder Nitrous Oxide and Oxygen System



Porter MXR-D Digital and Analog Flowmeter



Porter MXR-1 Analog Flowmeter

Porter's newest Nitrous Oxide Sedation System features portability and security with:

- Dual Locking Doors
- Holds 2 Oxygen and 2 Nitrous Oxide "E" Cylinders
- Internal and External Storage
- Working Surface
- Durable Locking Wheels

Models

SENTRY-34	MXR-1 Sentry Sedate	\$7600
SENTRY-34AV	MXR-1 Sentry Sedate w/ AVS	\$7970
SENTRY-44	MXR-D Sentry Sedate	\$7900
SENTRY-44AV	MXR-D Sentry Sedate w/ AVS	\$8270

Dimensions & Weight

Height - 33"
Depth - 24"
Width - 18"
Weight - 96 lbs (add 2 lbs for Porter Digital MXR) - does not include tanks



www.porterinstrument.com/dental
1-888-723-4001

Sentry Sedate Features For Portability, Security And Convenience



The sturdy cabinet design features both internal and external storage.



Sentry Sedate holds two nitrous oxide cylinders and two oxygen cylinders.



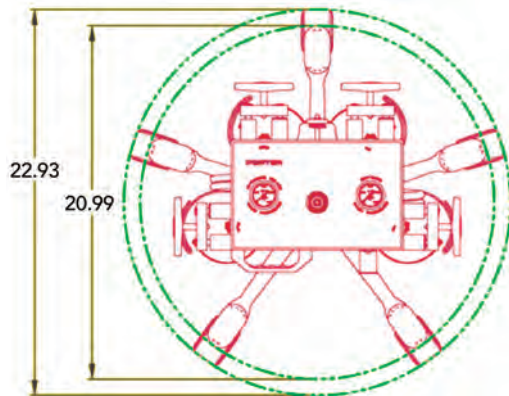
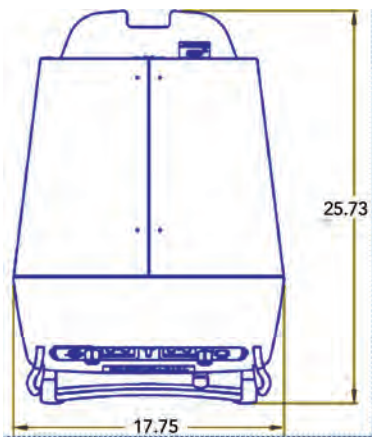
A side hook conveniently holds the breathing circuit and hoses.



Large locking wheels allow the unit to be easily moved from room to room.



The dual locks ensure safe, secure cylinder storage.



Sentry Sedate Footprint Comparison

Sentry Sedate is 3" narrower and only 3" longer than an E-Stand wheel base.